

UNDERMOUNT RECTANGULAR SINK

2004

MSTONE™

a part of MGROUP™

TECHNICAL SPECIFICATIONS

OUTSIDE DIMENSIONS: 20 7/8" W x 13 9/16"D x 7 1/16" H

MATERIAL: VITREOUS CHINA

WASTE FITTING: 1 1/4"

INSTALLATION: UNDERMOUNT

OVERFLOW: INCLUDED, INTEGRAL

SINK CLIPS: INCLUDED, COORDINATED WITH
MSTONE™ MOUNTING

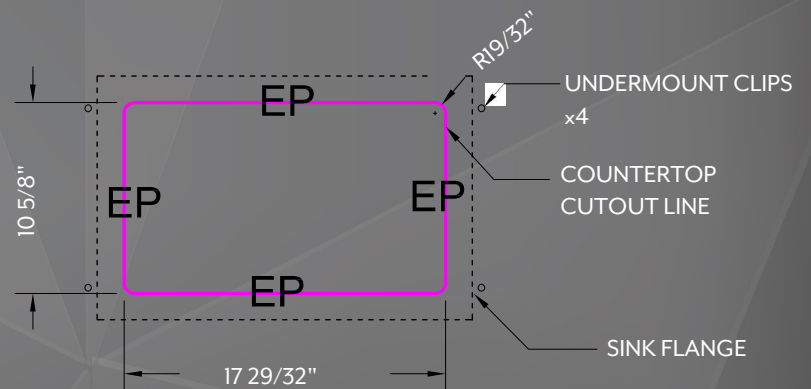
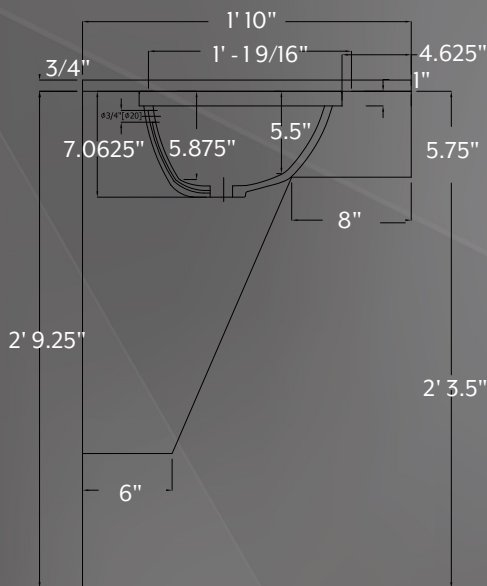
COMPLIANCE: SYSTEM MEETS ASME A112.19.2/CSA B45.1

WARRANTY: ONE-YEAR LIMITED

COLORS: SEE INTERIOR FINISH INDEX



TECHNICAL DRAWINGS



NOTES:

- DIMENSIONS CAN VARY +/- 1/8"

MGROUP™

MERIDIEN HOUSE | 203 NORTH LEWIS STREET | LAGRANGE, GA 30240 USA
O: 706.350.4300 | INFO@MGROUPCORP.COM | WWW.MGROUPCORP.COM

REV. DATE - 03/2023

