

CENTER STANDARD DRAIN SHOWER PAN

3660-S-O-L/R-10

M SHOWER®

a part of MGROUP®

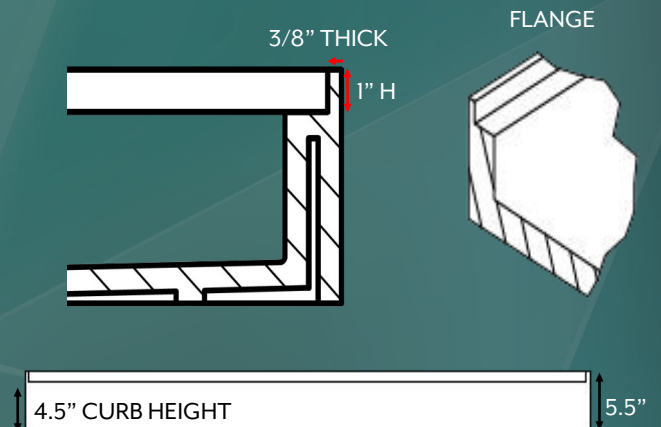
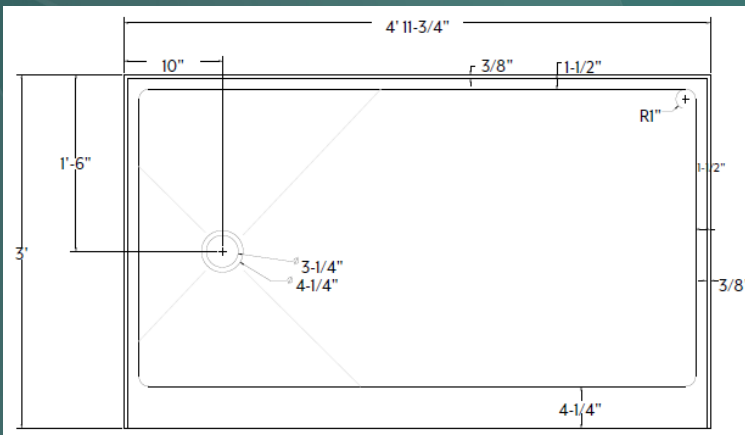
SPECIFICATIONS:

- Dimensions: 36"W x 59 3/4"W x 5.5"H
- Thickness: 1/2" minimum
- Drain: 10" Offset Left or Right
- Flange: 1" Integral
- Color: #820 White, custom available
- Finish: Abrasion Resistant Gel Coat
- - Lightly Textured Non-Slip Floor Material: High Resin Content Cast Marble
- Construction: Solid One-Piece
- Warranty: 10 - year manufacturer limited warranty against defects



For framing and plumbing purposes, please contact your MShower™ account manager or project manager for construction-ready shop drawings

TECHNICAL DRAWINGS:



NOTES:

- Pan dimensions can vary +/- 1/8"
- Sealed and sanitary gel coat surface - mold and mildew resistant
- Pre-leveled for sub-floor installation
- Drain not included - requires drain, 4-1/4" strainer
- Assembly and Installation required on-site



IAPMO LISTED
PRODUCT

MGROUP

Rev. Date: 08/2025

O: 706.350.4300 | INFO@MGROUPCORP.COM | WWW.MGROUPCORP.COM

