

UNDERMOUNT RECTANGULAR SINK

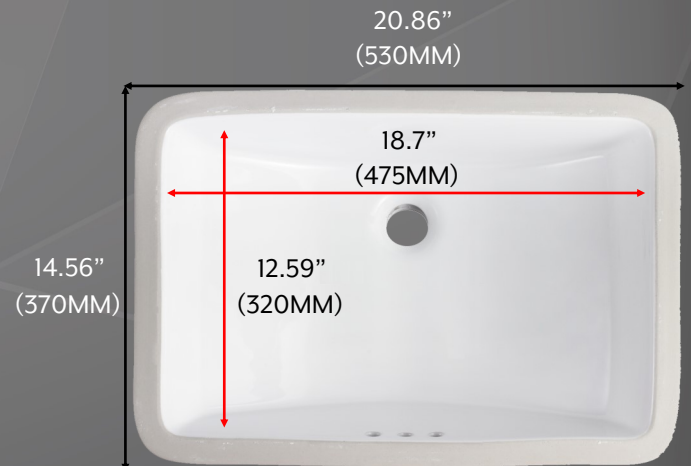
F2103

MSTONE™

a part of MGROUP™

TECHNICAL SPECIFICATIONS

OUTSIDE DIMENSIONS:	FRONT TO BACK : 14.56"H SIDE TO SIDE : 20.86"W
INSIDE DIMENSIONS:	FRONT TO BACK : 12.59"H SIDE TO SIDE : 18.7"W
MATERIAL:	VITREOUS CHINA
WASTE FITTING:	1 1/4"
INSTALLATION:	UNDERMOUNT
OVERFLOW:	INCLUDED, INTEGRAL
SINK CLIPS:	INCLUDED, COORDINATED WITH MSTONE™ MOUNTING SYSTEM
COMPLIANCE:	MEETS ASME A112.19.2/CSA B45.1
WARRANTY:	ONE-YEAR LIMITED
COLORS:	SEE INTERIOR FINISH INDEX



NOTES:

- DIMENSIONS CAN VARY +/- 1/8"

MGROUP™

MERIDIEN HOUSE | 203 NORTH LEWIS STREET | LAGRANGE, GA 30240 USA
O: 706.350.4300 | INFO@MGROUPCORP.COM |
WWW.MGROUPCORP.COM

REV. DATE - 12/1/2020

