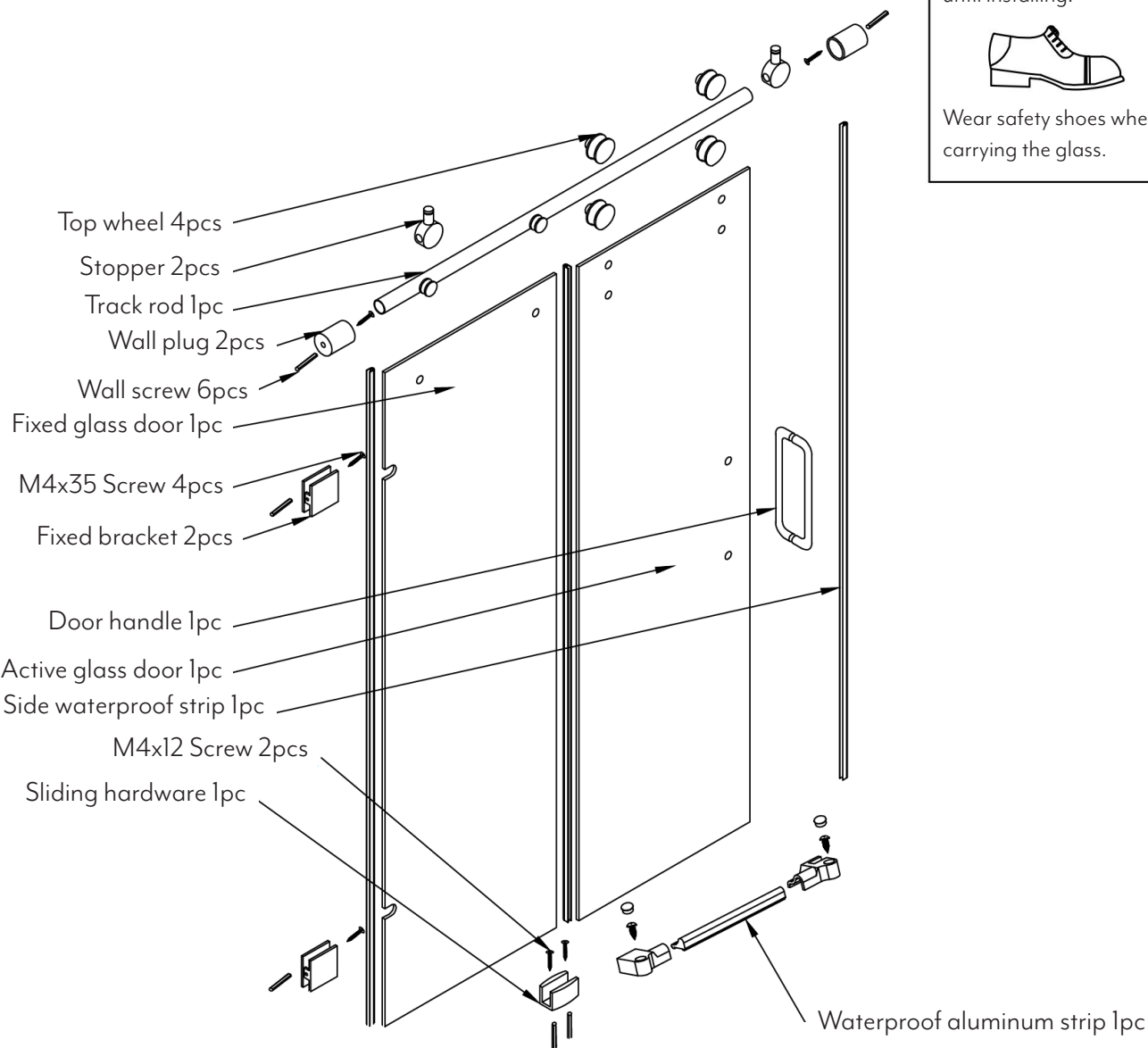




MGD1 SHOWER DOOR INSTALLATION INSTRUCTIONS

Thank you for choosing our shower enclosure. Before installing, please read these instructions carefully and check if all accessories are available and if any damage occurred during shipping.

For any questions, please contact us directly.



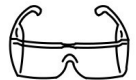
SAFETY ISSUES

Glass is fragile, handle carefully and avoid hitting rigid objects. Place the glass against the wall in gradient with a soft underlay beneath. We strongly suggest a two-man carry when moving. Do not take off the angle protection until installing.



Wear safety shoes when carrying the glass.

Wear safety glasses when drilling.



1

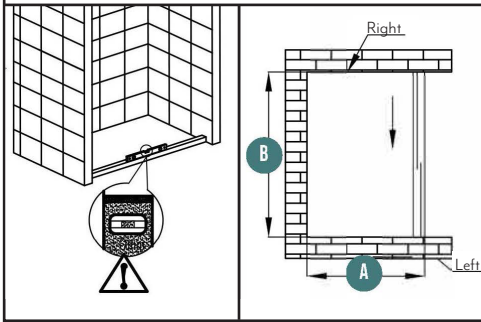
PRECAUTIONS

1. Clean the work stations and keep the floor dry.
2. To keep the floor dry during installation, do not turn on the faucet.
3. Glass is fragile, so make sure it will not hit any rigid object when installing. Place the glass against the wall in gradient with a soft underlay below.
4. Before drilling, check and make sure no electrical wire or water pipes are hidden in the wall.
5. After installation, collect all of the tools and clean the work station.

2

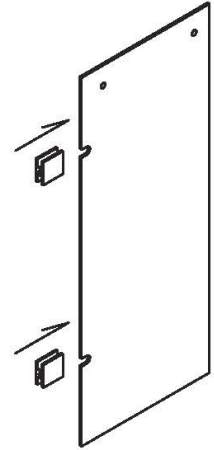
INSTALLATION & ADJUSTING

1. Place the stone base in the right position.
2. Check the stone base with a level, adjusting the stone horizontal level by increasing gasket or repairing the stone base.



3

Fix the fixed bracket on the fixed glass.



6

Use a pencil to mark the hole.

Wear safety glasses.

Put screw in hole.

Secure fixing clip with 4x35 screw.

Note: After marking the hole, remove the fixed door, then drill the hole.

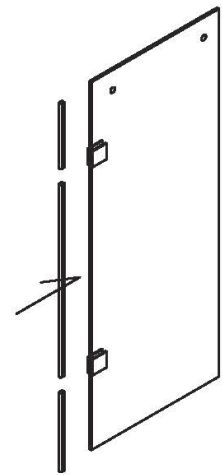
5

Fixed glass must be vertical and then mark it.

Mark bracket place.

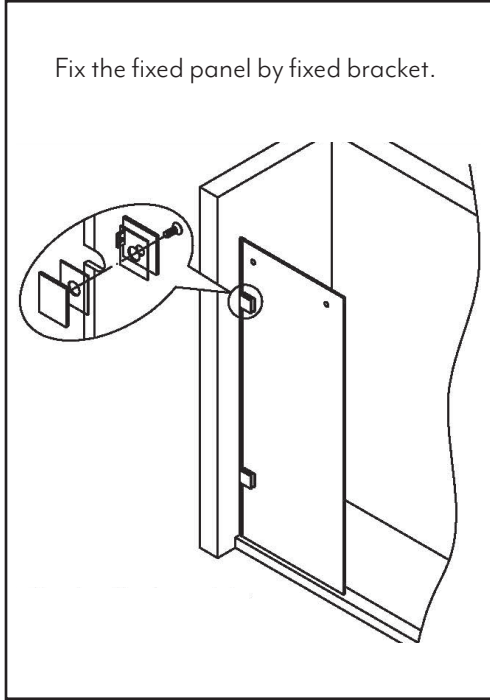
4

Put on the side waterproof strip.



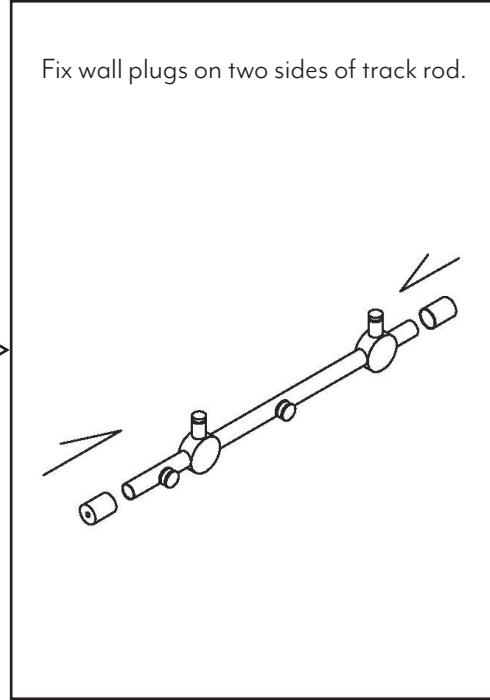
7

Fix the fixed panel by fixed bracket.



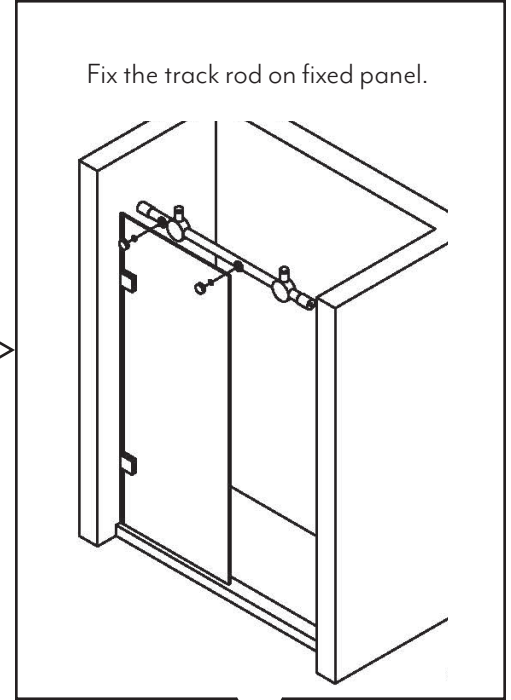
8

Fix wall plugs on two sides of track rod.



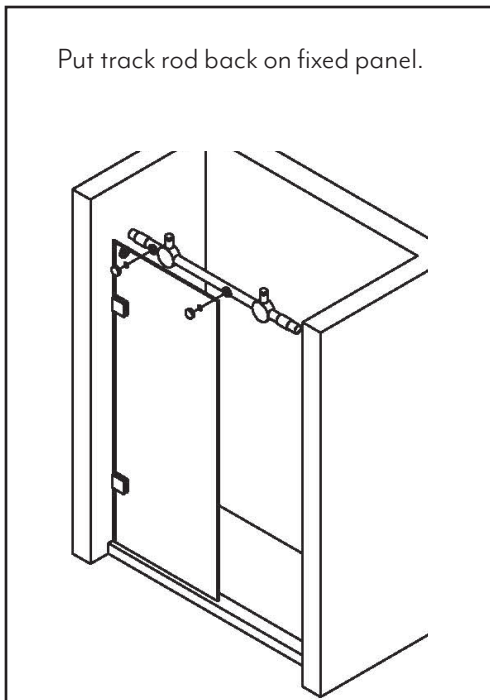
9

Fix the track rod on fixed panel.



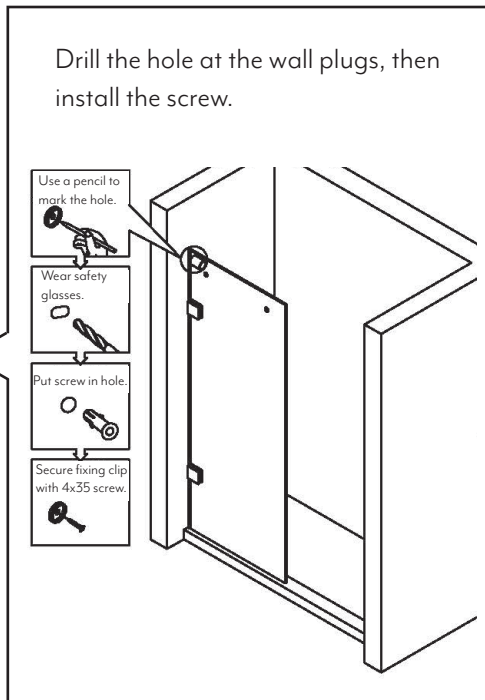
12

Put track rod back on fixed panel.



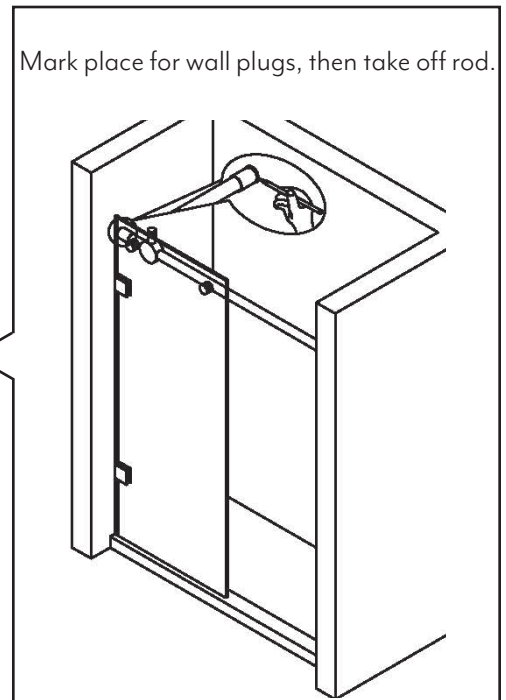
11

Drill the hole at the wall plugs, then install the screw.



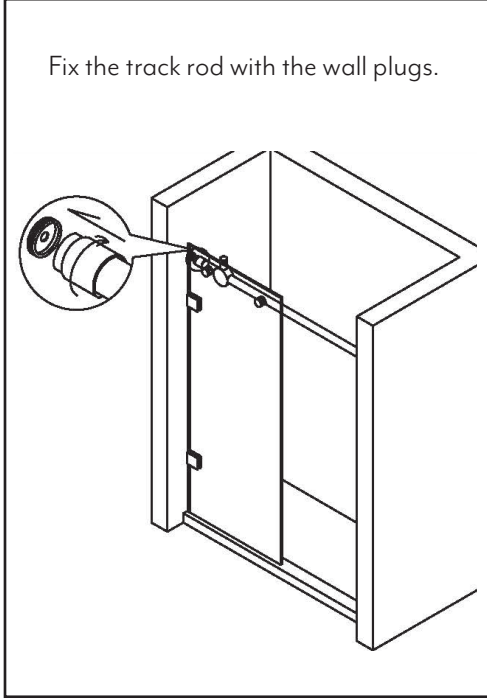
10

Mark place for wall plugs, then take off rod.



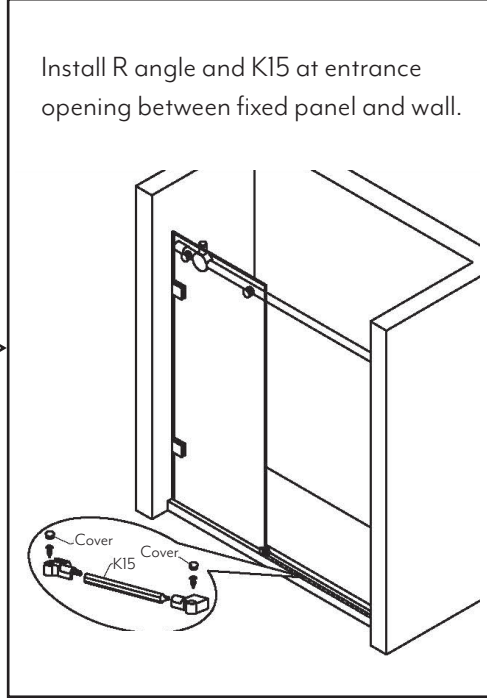
13

Fix the track rod with the wall plugs.



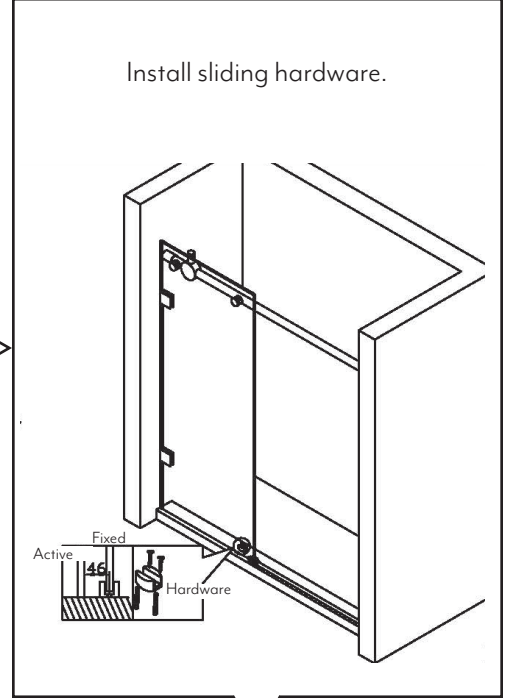
14

Install R angle and K15 at entrance opening between fixed panel and wall.



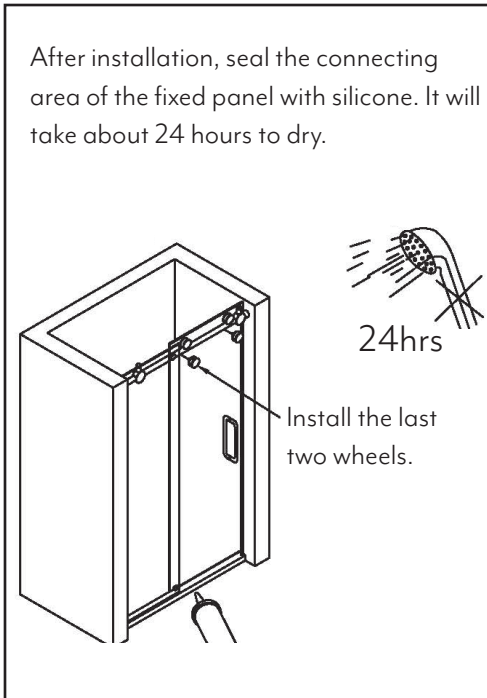
15

Install sliding hardware.



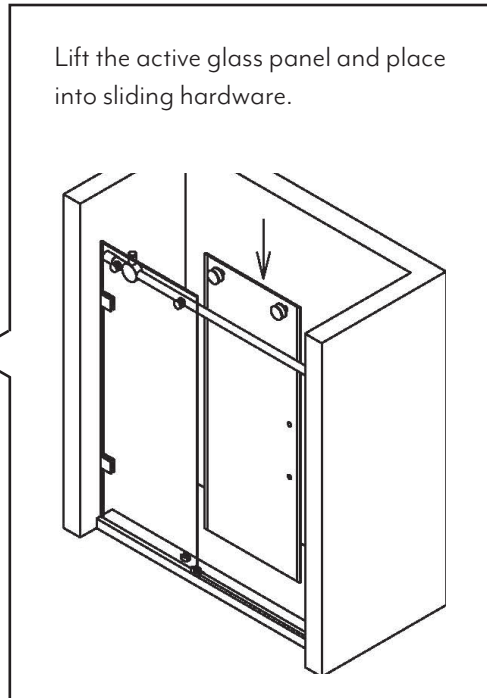
18

After installation, seal the connecting area of the fixed panel with silicone. It will take about 24 hours to dry.



17

Lift the active glass panel and place into sliding hardware.



16

Install the wheel, handle, and waterproof strip on the active glass.

