

CURVED FRONT STANDARD DRAIN SHOWER PAN

M SHOWER®

a part of MGROUP®

30-3460-S-O-LR-8.5

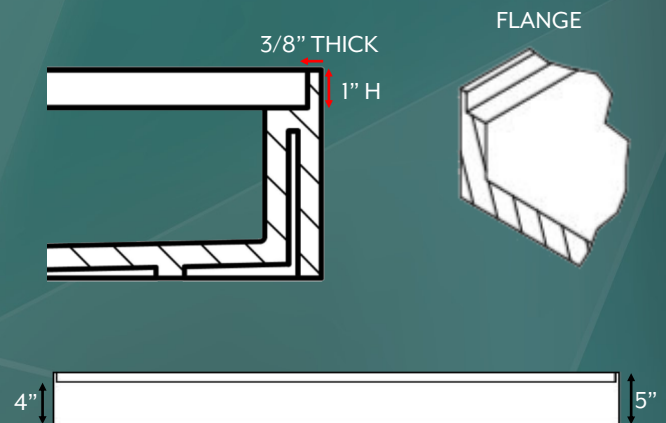
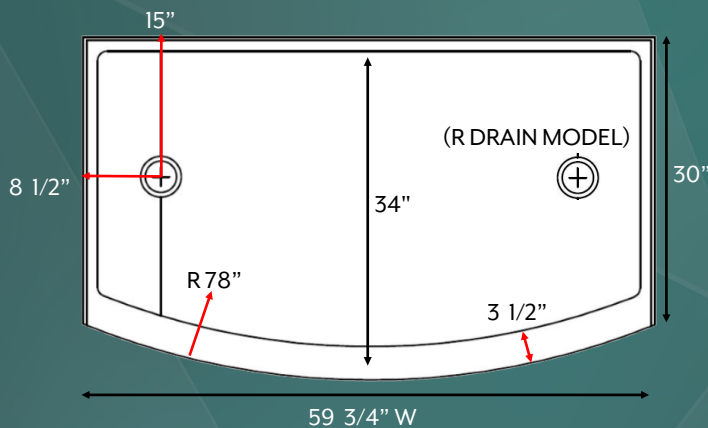
SPECIFICATIONS:

- Dimensions: Side: 30"D
Front: 59 3/4"W x 34"D
Max Bow Depth: 34"
- Thickness: 1/2" minimum
- Flange: 1" Integral
- Drain Offset: Standard, Right or Left
- Color: White, Custom Available
- Finish: Abrasion Resistant Gel Coat
 - Lightly Textured Non-slip Floor
- Material: Silica and Polyester Resin Polymer
- Construction: Solid One-piece
- Warranty: 10 - year manufacturer limited warranty against defects
- Coordination: compatible with Mshower MGD1 curved front shower door



For framing and plumbing purposes, please contact your MShower™ account manager or project manager for construction-ready shop drawings

TECHNICAL DRAWINGS:



NOTES:

- Pan dimensions can vary +/- 1/8"
- Sealed and sanitary gel coat surface - mold and mildew resistant
- Pre-leveled for sub-floor installation
- Drain not included - recommend sioux chief 825-2 series drain
- Assembly and Installation required on-site



IAPMO LISTED
PRODUCT

MGROUP™

MERIDIEN HOUSE | 203 NORTH LEWIS STREET | LAGRANGE, GA 30240 USA
O: 706.350.4300 | INFO@MGROUPCORP.COM | WWW.MGROUPCORP.COM

Rev. Date: 09/2022

