

# CURVED FRONT TRENCH DRAIN SHOWER PAN

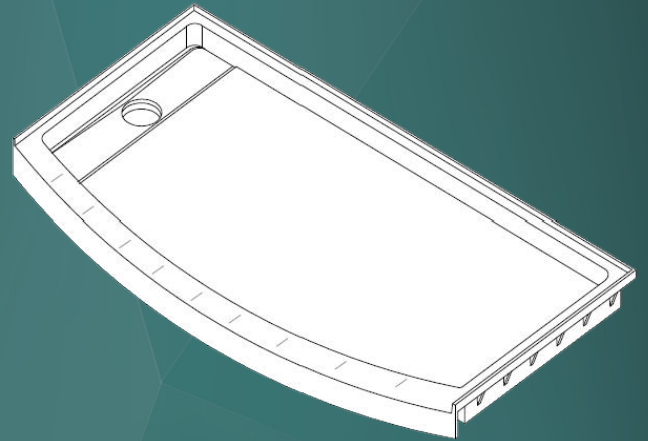
# M SHOWER®

a part of MGROUP®

30-3460-T-O-L/R-4

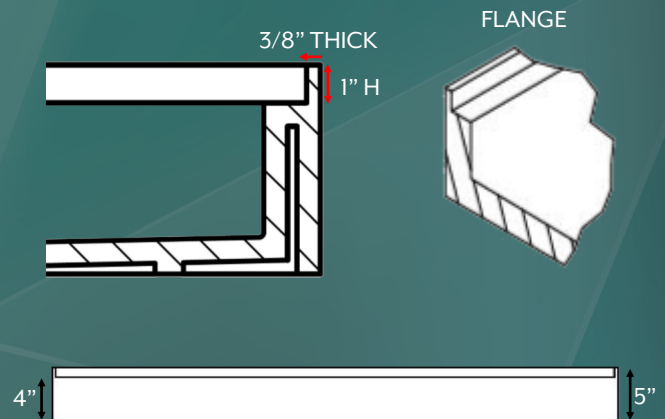
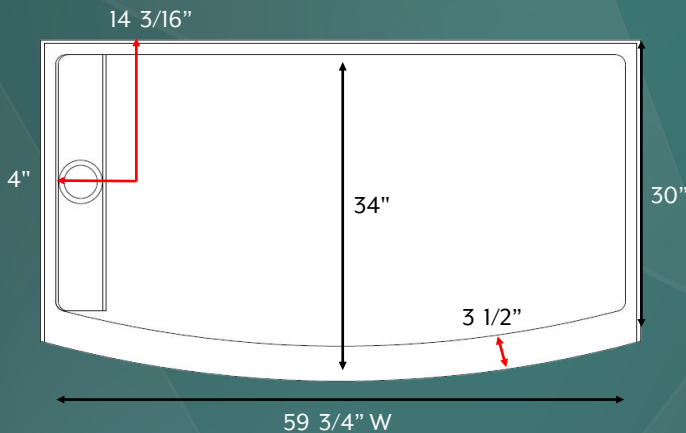
## SPECIFICATIONS:

- Dimensions: Side: 30"D  
Front: 59 3/4"W x 34"D  
Max Bow Depth: 34"
- Thickness: 1/2" minimum
- Flange: 1" Integral
- Drain Offset: Trench Right or Left
- Color: White, Custom Available
- Finish: Abrasion Resistant Gel Coat  
- Lightly Textured Non-slip Floor
- Material: Silica and Polyester Resin Polymer
- Construction: Solid One-piece
- Warranty: 10 - year manufacturer limited warranty against defects
- Coordination: compatible with Mshower MGD1 curved front shower door



\*For framing and plumbing purposes, please contact your MShower™ account manager or project manager for construction-ready shop drawings\*

## TECHNICAL DRAWINGS:



## NOTES:

- Pan dimensions can vary +/- 1/8"
- Sealed and sanitary gel coat surface - mold and mildew resistant
- Pre-leveled for sub-floor installation
- Drain cover is stainless steel 304
- Assembly and Installation required on-site



IAPMO LISTED  
PRODUCT

## MGROUP™

MERIDIEN HOUSE | 203 NORTH LEWIS STREET | LAGRANGE, GA 30240 USA  
O: 706.350.4300 | INFO@MGROUPCORP.COM | WWW.MGROUPCORP.COM

Rev. Date: 09/2022

