

STANDARD DRAIN SHOWER PAN

3260-S-O-LR-8

M SHOWER[®]

a part of MGROUP[®]

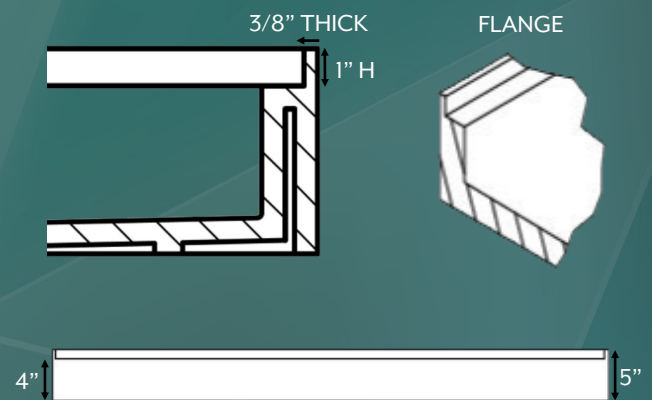
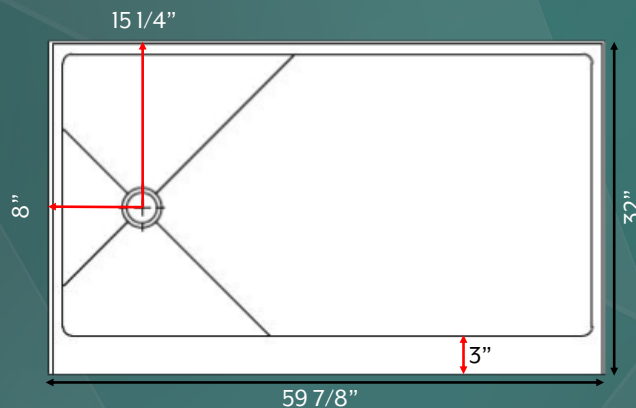
SPECIFICATIONS:

- Dimensions: 59 7/8"W x 32"D
- Thickness: 1/2" minimum
- Flange: 1" Integral
- Drain offset: Standard offset left or right
- Color: White, custom available
- Finish: Abrasion resistant gel coat
 - Lightly textured non-slip floor
- Material: Silica and Polyester resin polymer
- Construction: Solid one-piece
- Warranty: 10 - year manufacturer limited warranty against defects



For framing and plumbing purposes, please contact your MShower™ account manager or project manager for construction-ready shop drawings

TECHNICAL DRAWINGS:



NOTES:

- Pan dimensions can vary +/- 1/8"
- Sealed and sanitary gel coat surface - mold and mildew resistant
- Pre-leveled for sub-floor installation
- Drain not included - requires sioux chief 825 drain
- Assembly and Installation required on-site



IAPMO LISTED
PRODUCT

MGROUP[™]

MERIDIEN HOUSE | 203 NORTH LEWIS STREET | LAGRANGE, GA 30240 USA
O: 706.350.4300 | INFO@MGROUPCORP.COM | WWW.MGROUPCORP.COM

Rev. date: 11/30/2020

