

CENTER STANDARD DRAIN SHOWER PAN

M SHOWER[®]

a part of MGROUP[®]

3448-S-C

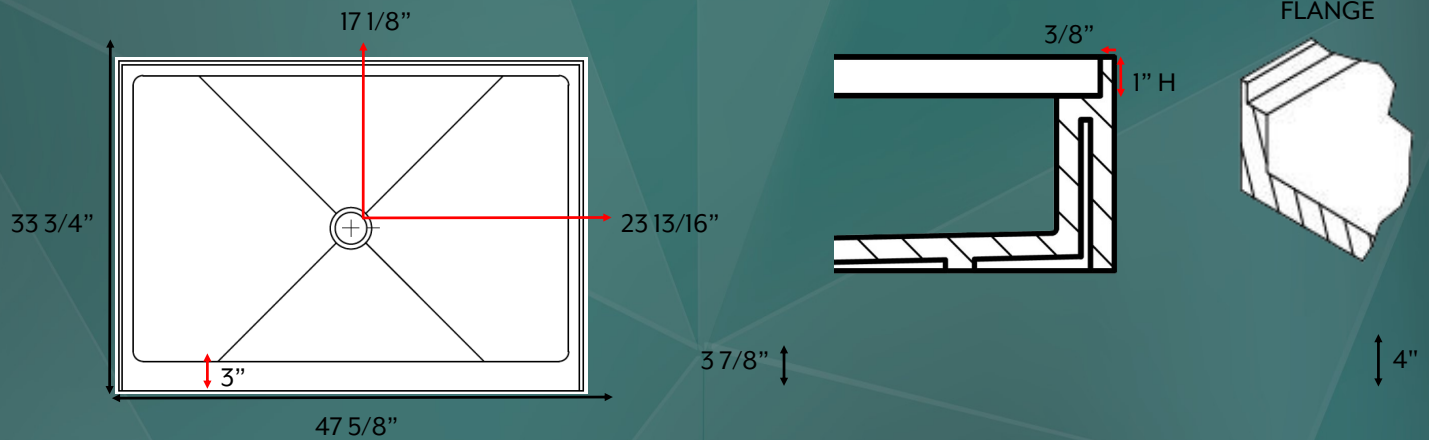
SPECIFICATIONS:

- Dimensions: 47 5/8"W x 33 3/4"D
- Thickness: 1/2" minimum
- Flange: 1" Integral
- Color: White, custom available
- Finish: Abrasion resistant gel coat
 - Exceeds ANSI B101.3 - non-slip floor
- Material: Silica and Polyester resin polymer
- Construction: Solid one-piece
- Warranty: 10 - year manufacturer limited warranty against defects



For framing and plumbing purposes, please contact your MShower[™] account manager or project manager for construction-ready shop drawings

TECHNICAL DRAWINGS:



NOTES:

- Pan dimensions can vary +/- 1/8"
- Sealed and sanitary gel coat surface - mold and mildew resistant
- Pre-leveled for sub-floor installation
- Drain not included - requires vortex drain



IAPMO LISTED
PRODUCT

MGROUP[™]

MERIDIEN HOUSE | 203 NORTH LEWIS STREET | LAGRANGE, GA 30240 USA
OFFICE: 706.350.4300 | INFO@QUIETLOK.COM | WWW.QUIETLOK.COM

Rev. date: 11/24/2020

