

# CENTER STANDARD DRAIN SHOWER PAN

3460-S-C

# M SHOWER<sup>®</sup>

a part of MGROUP<sup>®</sup>

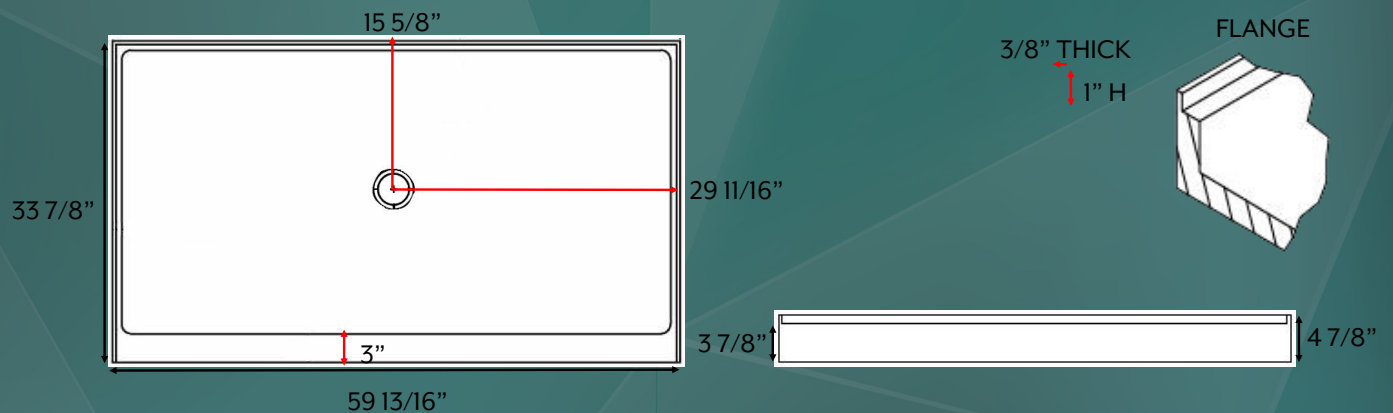
## SPECIFICATIONS:

- Dimensions: 59 13/16"W x 33 7/8"D x 4 7/8"H
- Thickness: 1/2" minimum
- Flange: 1" Integral
- Color: White, custom available
- Weight: 240#
- Finish: Abrasion resistant gel coat
  - Lightly textured non-slip floor
- Material: Silica and Polyester resin polymer
- Construction: Solid one-piece
- Warranty: 10 - year manufacturer limited warranty against defects



\*For framing and plumbing purposes, please contact your MShower™ account manager or project manager for construction-ready shop drawings\*

## TECHNICAL DRAWINGS:



## NOTES:

- Pan dimensions can vary +/- 1/8"
- Sealed and sanitary gel coat surface - mold and mildew resistant
- Pre-leveled for sub-floor installation
- Drain not included
- Assembly and Installation required on-site



IAPMO LISTED  
PRODUCT

## MGROUP<sup>™</sup>

MERIDIEN HOUSE | 203 NORTH LEWIS STREET | LAGRANGE, GA 30240 USA  
OFFICE: 706.350.4300 | INFO@QUIETLOK.COM | WWW.QUIETLOK.COM

Rev. date: 11/24/2020

