

TRENCH DRAIN SHOWER PAN RENOVATION STYLE

3460-T-O-L/R-8-RENO

M SHOWER®

a part of MGROUP™

SPECIFICATIONS:

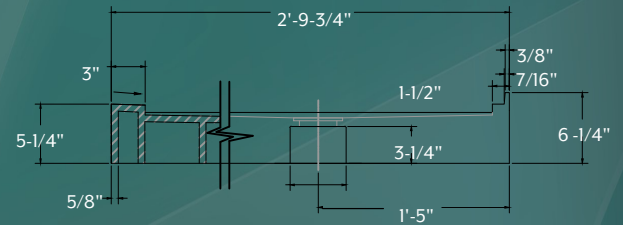
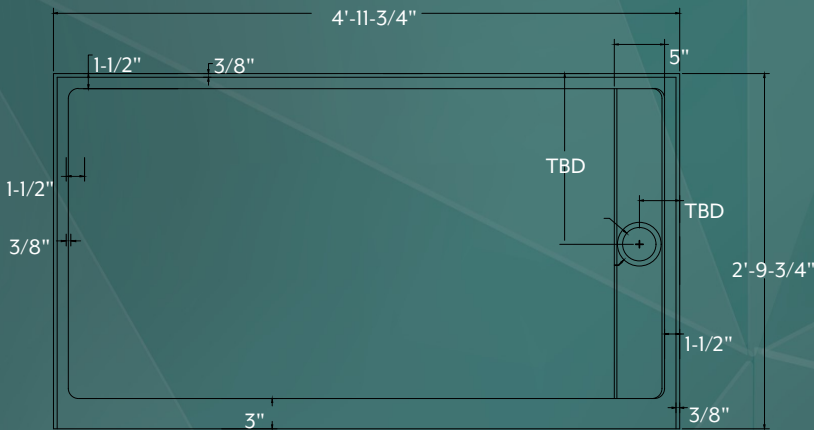
- Dimensions: 33-3/4"W x 59 3/4"L x 6-1/4"H
- Thickness: 1/2" minimum
- Flange: 1" Integral
- Drain Offset: 8" Offset - Left or Right
- Color: #302 White
- Finish: Matte / Abrasion Resistant Gel Coat
 - ANSI B101.3 Compliant Non-Slip Floor
- Drain Cover: Gel Coated - Included
- Construction: Solid One-Piece
- Warranty: 10 - Year Manufacturer Limited Warranty against defects

PATENTED



For framing and plumbing purposes, please contact your MShower™ account manager or project manager for construction-ready shop drawings

TECHNICAL DRAWINGS:



NOTES:

- Pan dimensions can vary +/- 1/8"
- Sealed and sanitary gel coat surface - mold and mildew resistant
- Pre-leveled for sub-floor installation
- Drain not included - requires sioux chief 825-2 series drain or offset side outlet drain with max height of 3" and 4-1/4" strainer
- Assembly and Installation required on-site
- U.S. Patent #: 12064065



IAPMO LISTED
PRODUCT

MGROUP™

Rev. Date: 08/2024

O: 706.350.4300 | INFO@MGROUPCORP.COM | WWW.MGROUPCORP.COM

