

TRENCH DRAIN SHOWER PAN

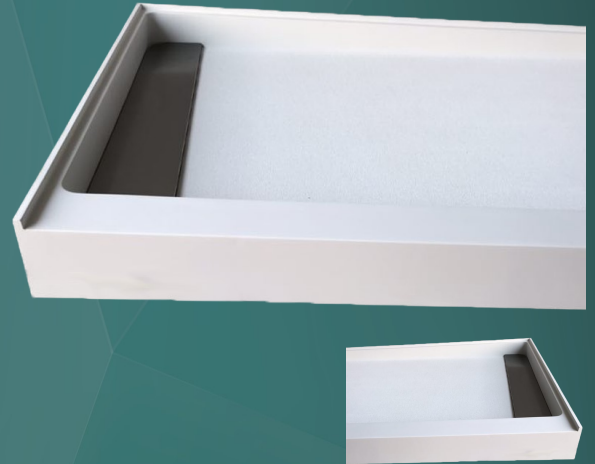
M SHOWER[®]

a part of MGROUP[®]

3648-T-O-LR-3.75

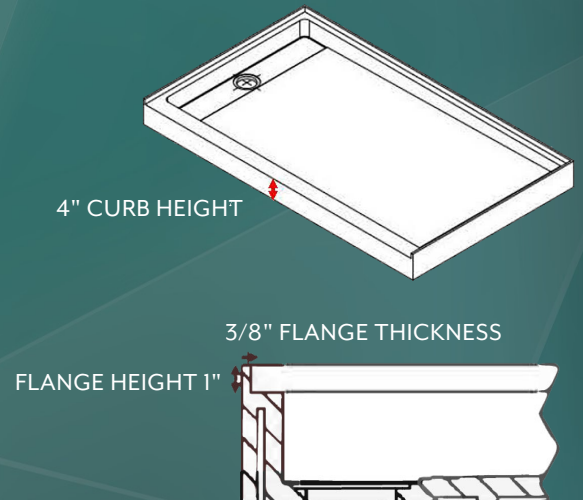
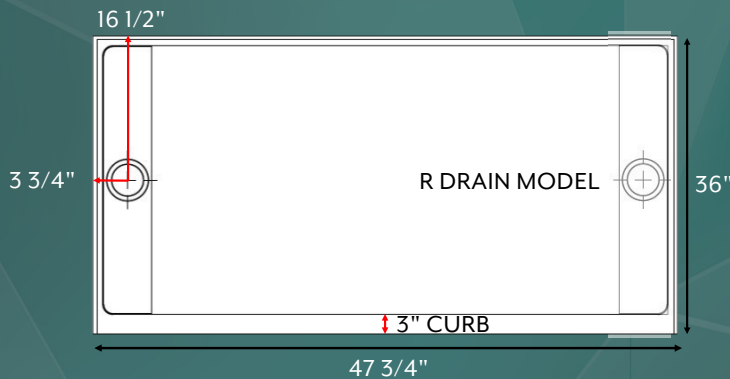
SPECIFICATIONS:

- Dimensions: 47 3/4"W x 36"D x 5"H
- Thickness: 1/2" minimum
- Flange: 1" Integral
- Drain offset: Trench offset left, right model available
- Color: White, custom available
- Finish: Matte gel coat - mold and mildew resistant
 - Lightly textured non-slip floor: ANSI B101.3 compliant
- Drain cover: Brushed (or polished) stainless steel 304 - included
- Construction: Solid one-piece
- Warranty: 10 - year manufacturer limited warranty against defects



For framing and plumbing purposes, please contact your MShower™ account manager or project manager for construction-ready shop drawings

TECHNICAL DRAWINGS:



NOTES:

- Pan dimensions can vary +/- 1/8"
- Sealed and sanitary gel coat surface - mold and mildew resistant
- Pre-leveled for sub-floor installation
- Drain not included - recommend sioux chief 825-2 series drain
- Drain cover is SS/304



IAPMO LISTED
PRODUCT

MGROUP[™]

MERIDIEN HOUSE | 203 NORTH LEWIS STREET | LAGRANGE, GA 30240 USA
O: 706.350.4300 | INFO@MGROUPCORP.COM | WWW.MGROUPCORP.COM

Rev. date: 11/30/2020

