

TRENCH DRAIN SHOWER PAN

M SHOWER[®]

a part of MGROUP[®]

3648-T-O-L/R-3.75

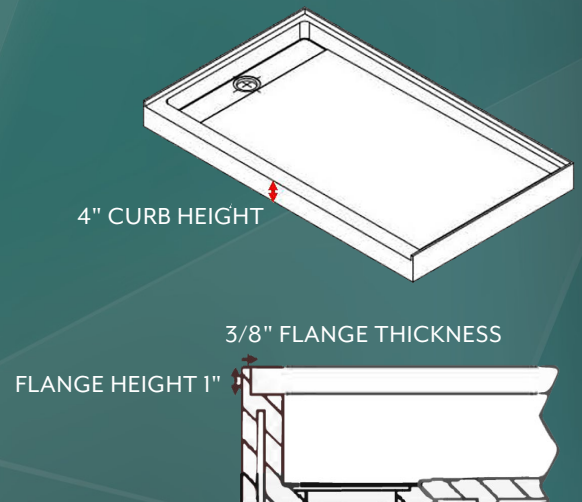
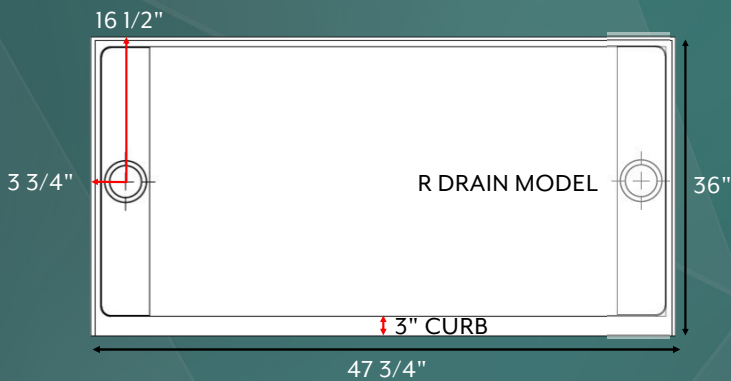
SPECIFICATIONS:

- Dimensions: 47 3/4"W x 36"D x 5"H
- Thickness: 1/2" minimum
- Flange: 1" Integral
- Drain Offset: Left or Right
- Drain Cover: Stainless steel 304 - included
- Color: White, custom available
- Finish: Matte abrasion resistant gel coat
- ANSI B101.3 compliant non-slip floor
- Material: High Resin Content Cast Marble
- Construction: Solid one-piece
- Warranty: 10 - year manufacturer limited warranty against defects



For framing and plumbing purposes, please contact your MShower™ account manager or project manager for construction-ready shop drawings

TECHNICAL DRAWINGS:



NOTES:

- Pan dimensions can vary +/- 1/8"
- Sealed and sanitary gel coat surface - mold and mildew resistant
- Pre-leveled for sub-floor installation
- Drain not included - recommend sioux chief 825-2 series drain or similar, 4-1/4" strainer



IAPMO LISTED
PRODUCT

MGROUP[™]

MERIDIEN HOUSE | 203 NORTH LEWIS STREET | LAGRANGE, GA 30240 USA
O: 706.350.4300 | INFO@MGROUPCORP.COM | WWW.MGROUPCORP.COM

Rev. Date: 02/2024

