

TRENCH DRAIN SHOWER PAN

M SHOWER[®]

a part of MGROUP[®]

3660-T-O-LR-3.625

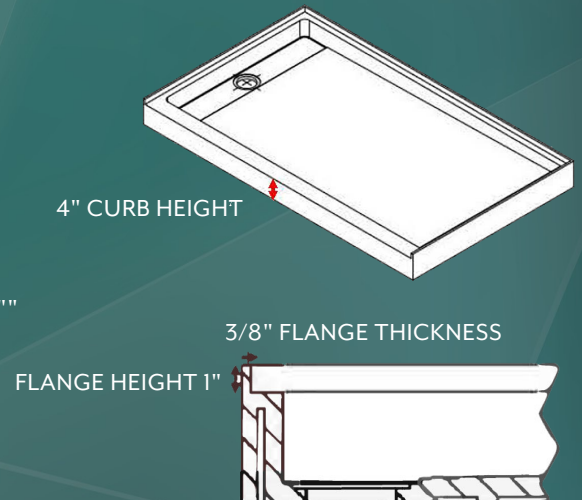
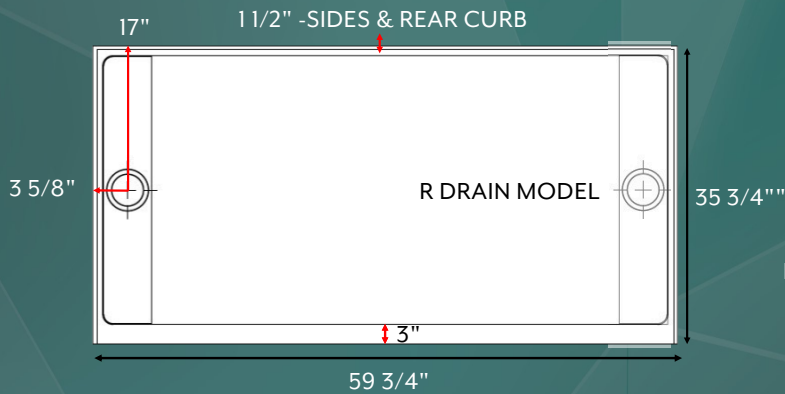
SPECIFICATIONS:

- Dimensions: 35 3/4" D x 59 3/4" W
- Thickness: 1/2" minimum
- Flange: 1" Integral
- Drain offset: 3 5/8"
- Drain location: Offset left or right
- Drain cover: Solid brushed stainless steel 304
- Color: White, custom available
- Finish: Matte with textured non-slip surface
- *Exceeds ASTM 1028-96 requirements
- Material: Cast Polymer Silica and Resin
- Construction: Solid one-piece
- Warranty: 10 - year manufacturer limited warranty against defects



For framing and plumbing purposes, please contact your MShower™ account manager or project manager for construction-ready shop drawings

TECHNICAL DRAWINGS:



NOTES:

- Pan dimensions can vary +/- 1/8"
- Sealed and sanitary gel coat surface - mold and mildew resistant
- Pre-leveled for sub-floor installation
- Drain not included - recommend sioux chief 825-2 series drain
- Assembly and Installation required on-site



IAPMO LISTED
PRODUCT

MGROUP[™]

MERIDIEN HOUSE | 203 NORTH LEWIS STREET | LAGRANGE, GA 30240 USA
O: 706.350.4300 | INFO@MGROUPCORP.COM | WWW.MGROUPCORP.COM

Rev. date: 1/14/2021

