

# CENTER STANDARD DRAIN SHOWER PAN

# M SHOWER<sup>®</sup>

a part of MGROUP<sup>®</sup>

3860-S-C

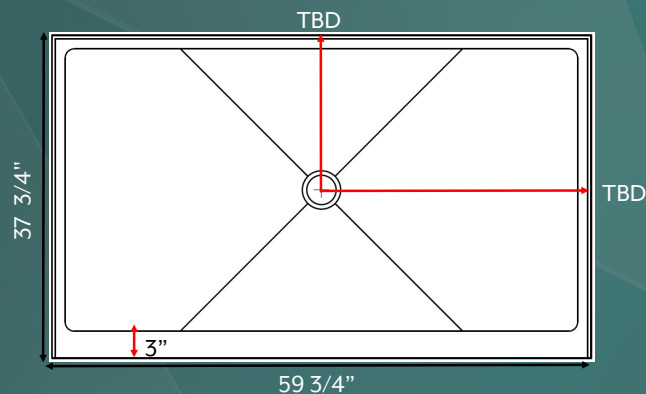
## SPECIFICATIONS:

- Dimensions: 59 3/4"W x 37 7/8"D x 5"H
- Thickness: 1/2" minimum, 4" entry curb
- Flange: 1" Integral
- Color: White, custom available
- Finish: Abrasion resistant gel coat
  - Lightly textured non-slip floor
- Material: High Resin Content Cast Marble
- Construction: Solid one-piece
- Warranty: 10 - year manufacturer limited warranty against defects

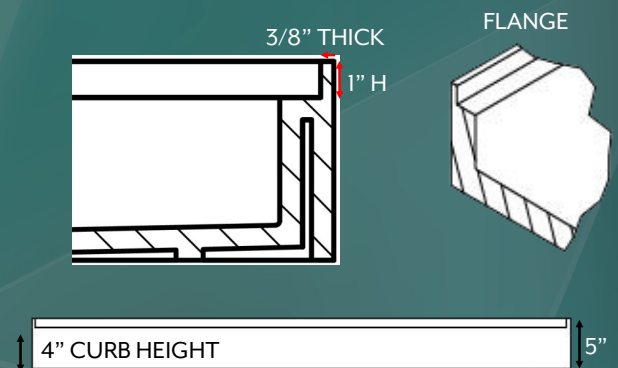


\*For framing and plumbing purposes, please contact your MShower™ account manager or project manager for construction-ready shop drawings\*

## TECHNICAL DRAWINGS:



CONCEPT MOLD ONLY - DIMENSIONS TBD



## NOTES:

- Pan dimensions can vary +/- 1/8"
- Sealed and sanitary gel coat surface - mold and mildew resistant
- Pre-leveled for sub-floor installation
- Drain not included - requires sioux chief 825-2 drain or similar, 4-1/4" strainer
- Assembly and Installation required on-site



IAPMO LISTED  
PRODUCT

## MGROUP<sup>™</sup>

MERIDIEN HOUSE | 203 NORTH LEWIS STREET | LAGRANGE, GA 30240 USA  
O: 706.350.4300 | INFO@MGROUPCORP.COM | WWW.MGROUPCORP.COM

Rev. Date: 02/2024

