

STANDARD DRAIN SHOWER PAN

3860-S-O-LR-10

M SHOWER[®]

a part of MGROUP[®]

SPECIFICATIONS:

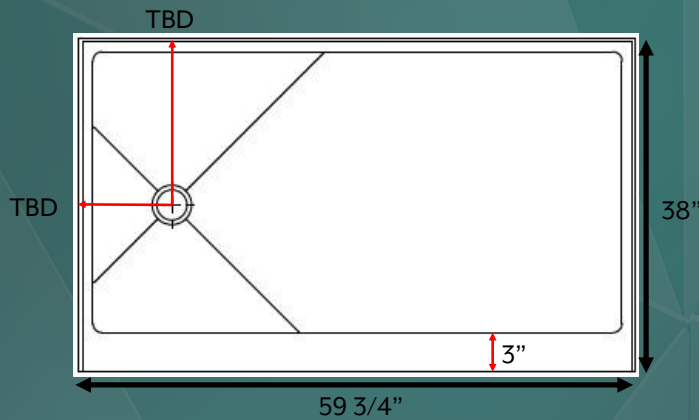
- Dimensions: 59 3/4" W x 36"D
- Thickness: 1/2" minimum
- Drain offset: Standard offset left or right
- Weight: 250#
- Flange: 1" Integral
- Color: White, custom available
- Finish: Abrasion resistant gel coat
 - Lightly textured non-slip floor
- Material: Silica and Polyester resin polymer
- Construction: Solid one-piece
- Warranty: 10 - year manufacturer limited warranty against defects



For framing and plumbing purposes, please contact your MShower™ account manager or project manager for construction-ready shop drawings

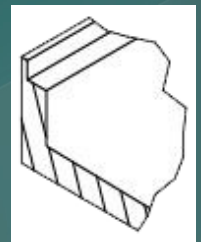
TECHNICAL DRAWINGS:

CONCEPT MOLD ONLY - DIMENSIONS TBD



3/8" THICK
1" H

FLANGE



NOTES:

- Pan dimensions can vary +/- 1/8"
- Sealed and sanitary gel coat surface - mold and mildew resistant
- Pre-leveled for sub-floor installation
- Drain not included - requires vortex drain
- Assembly and Installation required on-site



IAPMO LISTED
PRODUCT

MGROUP[™]

MERIDIEN HOUSE | 203 NORTH LEWIS STREET | LAGRANGE, GA 30240 USA
OFFICE: 706.350.4300 | INFO@QUIETLOK.COM | WWW.QUIETLOK.COM

Rev. date: 11/25/2020

