

# SHOWER DOOR

E2351

# M SHOWER<sup>®</sup>

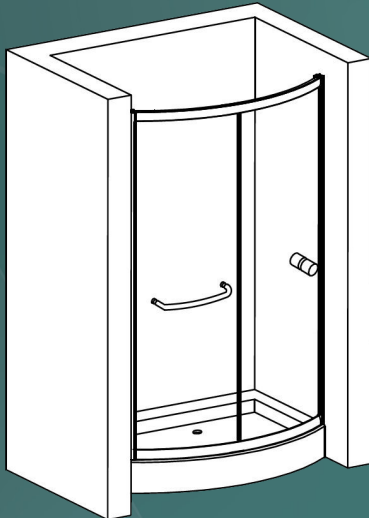
a part of MGROUP<sup>®</sup>

## SPECIFICATIONS:

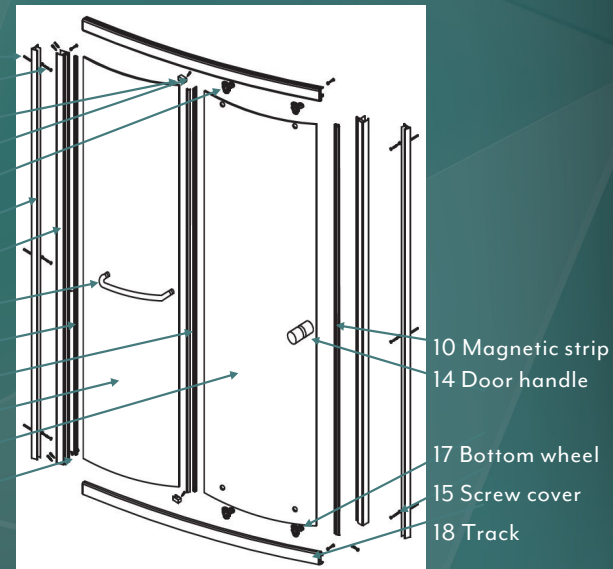
- Dimensions: 60"W x 75"H, custom sizing available
- Finish: Brushed Aluminum frame
- Material: 8mm Tempered glass with water repellent coat
- Construction: Single sliding door with door pull
  - Brass and Chrome hardware
  - Magnetic and Urethane seams
  - Fixed glass panel with 19" towel bar
- Warranty: 3 - year manufactured limited warranty against defects



## TECHNICAL DRAWINGS:



- 1 Wall screw
- 2 M4x35 wall screw
- 3 Glass stopper
- 4 M4x10 screw
- 5 Top wheel
- 6 Wall mount
- 7 Support frame
- 8 Towel bar
- 9 Urethane seal
- 11 Water-proof strip
- 12 Fixed panel
- 13 Door panel
- 16 Screw



## NOTES:

- Dimensions are per the approved shop drawings
- Accessories such as towel bars, robe hooks, handles, etc. are indicated on the project shop drawings
- Tempered safety glass provided - no on-site trimming or drilling possible
- Field adjustable up to 1/2"
- Wall blocking required
- Certifications: ANSI Z97.1, EN12150, 16CFR 1201

## MGROUP<sup>™</sup>

MERIDIEN HOUSE | 203 NORTH LEWIS STREET | LAGRANGE, GA 30240 USA  
O: 706.350.4300 | INFO@MGROUPCORP.COM | WWW.MGROUPCORP.COM

Rev. date: 11/30/2020

