

CURVED FRONT SHOWER DOOR

E2351 - 8mm or 10mm

M SHOWER[®]

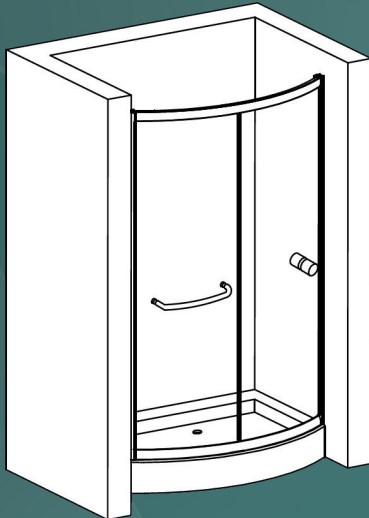
a part of MGROUP[®]

SPECIFICATIONS:

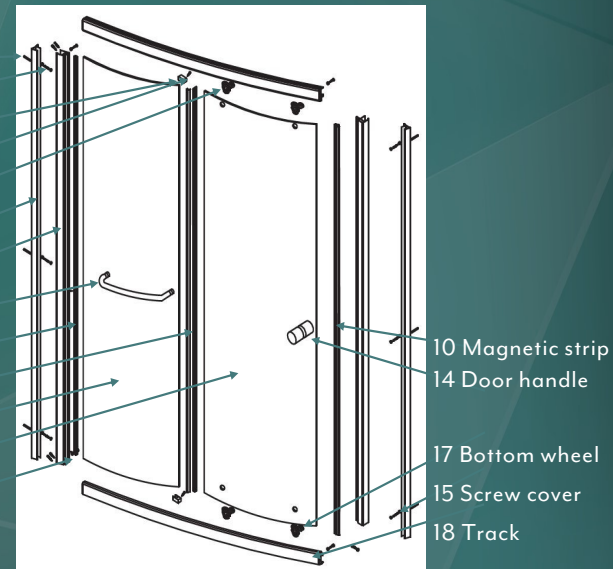
- Dimensions: 60"W x 75"H, Custom Sizing Available
- Finish: Brushed Aluminum Frame
- Material: 8mm or 10mm Tempered Glass w/ Water-Repellent Coat
- Construction: Single Sliding Door w/ Door Pull
 - Brass and Chrome Hardware
 - Magnetic and Urethane Seams
 - Fixed Glass Panel w/ 19" Towel Bar
- Warranty: 3 - year manufactured limited warranty against defects



TECHNICAL DRAWINGS:



- 1 Wall screw
- 2 M4x35 wall screw
- 3 Glass stopper
- 4 M4x10 screw
- 5 Top wheel
- 6 Wall mount
- 7 Support frame
- 8 Towel bar
- 9 Urethane seal
- 11 Water-proof strip
- 12 Fixed panel
- 13 Door panel
- 16 Screw



NOTES:

- Dimensions are per the approved shop drawings
- Accessories such as towel bars, robe hooks, handles, etc. are indicated on the project shop drawings
- Tempered safety glass provided - no on-site trimming or drilling possible
- Field adjustable up to 1/2"
- Wall blocking required
- Certifications: ANSI Z97.1, EN12150, 16CFR 1201

MGROUP[™]

MERIDIEN HOUSE | 203 NORTH LEWIS STREET | LAGRANGE, GA 30240 USA
O: 706.350.4300 | INFO@MGROUPCORP.COM | WWW.MGROUPCORP.COM

Rev. Date: 09/2022

