

SLIDING SHOWER DOOR

E262 - 8mm or 10mm

M SHOWER®

a part of MGROUP®

SPECIFICATIONS:

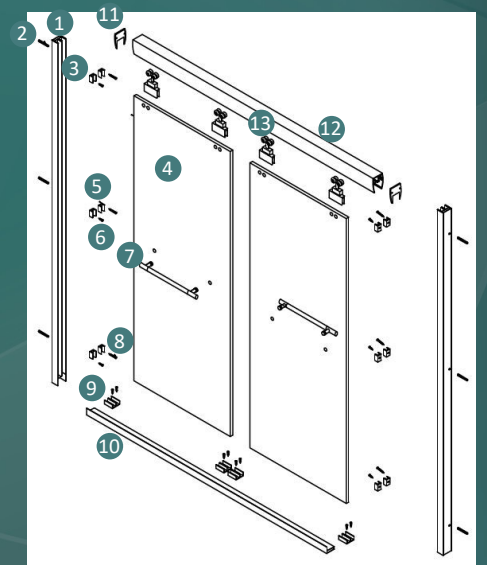
- Dimensions: 60"W x 75"H, Custom Sizing Available
- Finish: Brushed Aluminum Frame
- Material: 8mm or 10mm Tempered glass w/ Water Repellent Coat
- Construction: Double Sliding Doors
 - Brass and Chrome Hardware
 - Urethane Seams
 - Integrated 19" Towel Bar/Door Handles
- Entry: less than 1/2" Waterproofing Step-through
- Warranty: 3 - year manufactured limited warranty against defects



TECHNICAL DRAWINGS:



- 1 Wall mount frame
- 2 Wall screw
- 3 Waterproof strip
- 4 Door panel
- 5 Bumper block
- 6 M4x12 screw
- 7 Door handle
- 8 M4x35 screw
- 9 Floor guide
- 10 Track
- 11 Track cover
- 12 Track
- 13 Wheel



NOTES:

- Dimensions are per the approved shop drawings
- Accessories such as towel bars, robe hooks, handles, etc. are indicated on the project shop drawings
- Tempered safety glass provided - no on-site trimming or drilling possible
- Field adjustable up to 1/2"
- Wall blocking required
- Certifications: ANSI Z97.1, EN12150, 16CFR 1201

MGROUP™

MERIDIEN HOUSE | 203 NORTH LEWIS STREET | LAGRANGE, GA 30240 USA
O: 706.350.4300 | INFO@MGROUPCORP.COM | WWW.MGROUPCORP.COM

Rev. Date: 09/2022

