

FOOT REST

M SHOWER[®]

a part of MGROUP[®]

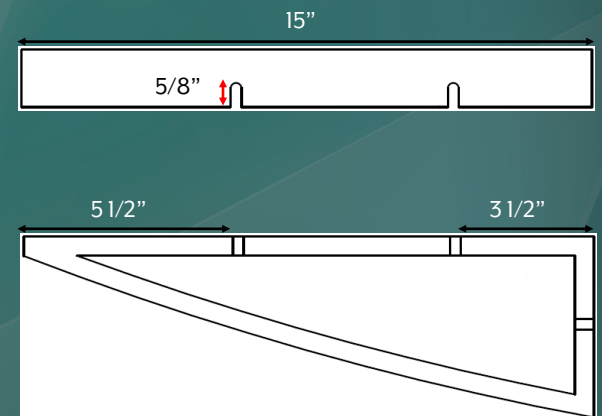
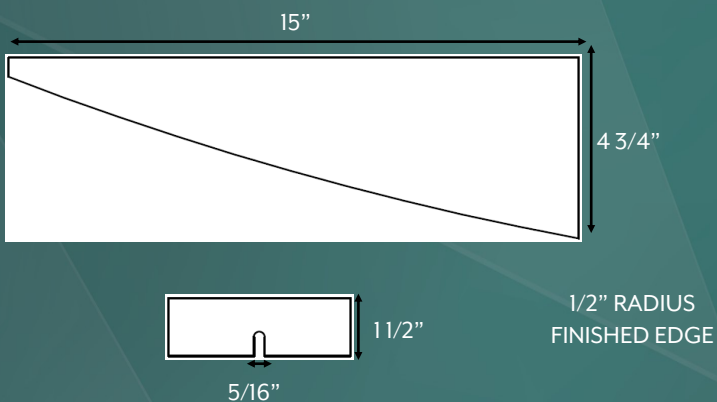
FR-15

SPECIFICATIONS:

- Dimensions: 4.75"L x 15"W x 1 1/2"H
- Thickness: 1 1/2"
- Weight: 7#
- Orientation: Right and Left versions available
- Color: White, custom available
- Finish: Textured non-slip top, matte gel coat
- Included: Mounting hardware included
- Installation: Includes 3" mounting screws and custom standoff available
- Warranty: 10-year manufactured limited warranty against defects



TECHNICAL DRAWINGS:



NOTES:

- Dimensions can vary +/- 1/8"
- Top gel coat applied for an easy to clean, sanitary, and mold and mildew resistant surface
- 1/16" finished edge
- Mounting notches are pre-drilled. On-site fabrication of mounting notches is not permitted and voids all manufacturer liability

MGROUP[™]

MERIDIEN HOUSE | 203 NORTH LEWIS STREET | LAGRANGE, GA 30240 USA
O: 706.350.4300 | INFO@MGROUPCORP.COM | WWW.MGROUPCORP.COM

Rev. date: 11/30/2020

