

NOOK-12x16x8-C

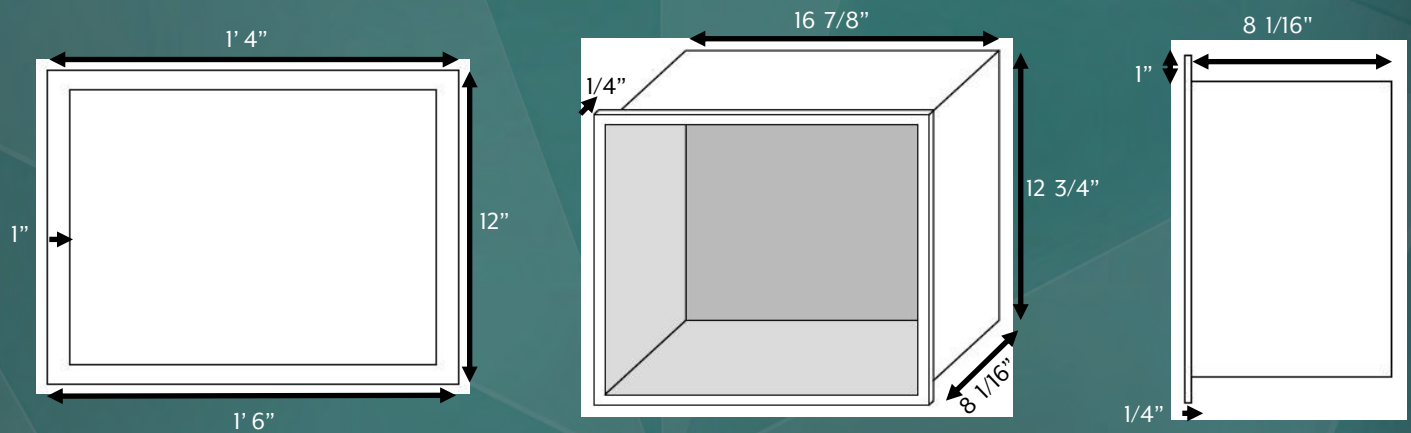
TECHNICAL SPECIFICATIONS

INTERIOR DIMENSIONS:	12" H x 16" W x 8" D
EXTERIOR DIMENSIONS:	14" H x 16" W x 8 3/16" D
THICKNESS:	1/2" WALLS
FLANGE:	7/8" W x 1/4" TH
COLOR:	#820 WHITE
WEIGHT:	18#
CONSTRUCTION:	CAST POLYMER, SOLID ONE-PIECE
WARRANTY:	10-YEAR MANUFACTURER LIMITED WARRANTY AGAINST DEFECTS
INSTALLATION:	REQUIRES ROUGH-IN COORDINATION WITH CONTRACTOR



For framing and plumbing purposes, please contact your MShower™ account manager or project manager for construction-ready shop drawings

TECHNICAL DRAWINGS



NOTES

- (1) TYPICAL SIZES SHOWN ON NOOKS WILL BE MANUFACTURED ACCORDING TO THE APPROVED SHOP DRAWINGS. ONSITE ADJUSTMENTS / CUTTING IS REQUIRED FOR CUSTOM FIT
- (2) WALL BLOCKING REQUIRED
- (3) DIMENSIONS CAN VARY +/- 1/8"
- (4) TOP GEL COAT APPLIED FOR AN EASY TO CLEAN, SANITARY, AND MOLD AND MILDEW RESISTANT SURFACE
- (5) 1/16" FINISHED EDGE
- (6) CLASS A FIRE RATED MATERIAL IS AVAILABLE UPON REQUEST. NON-FIRE RATED MATERIAL IS OFFERED AS STANDARD.