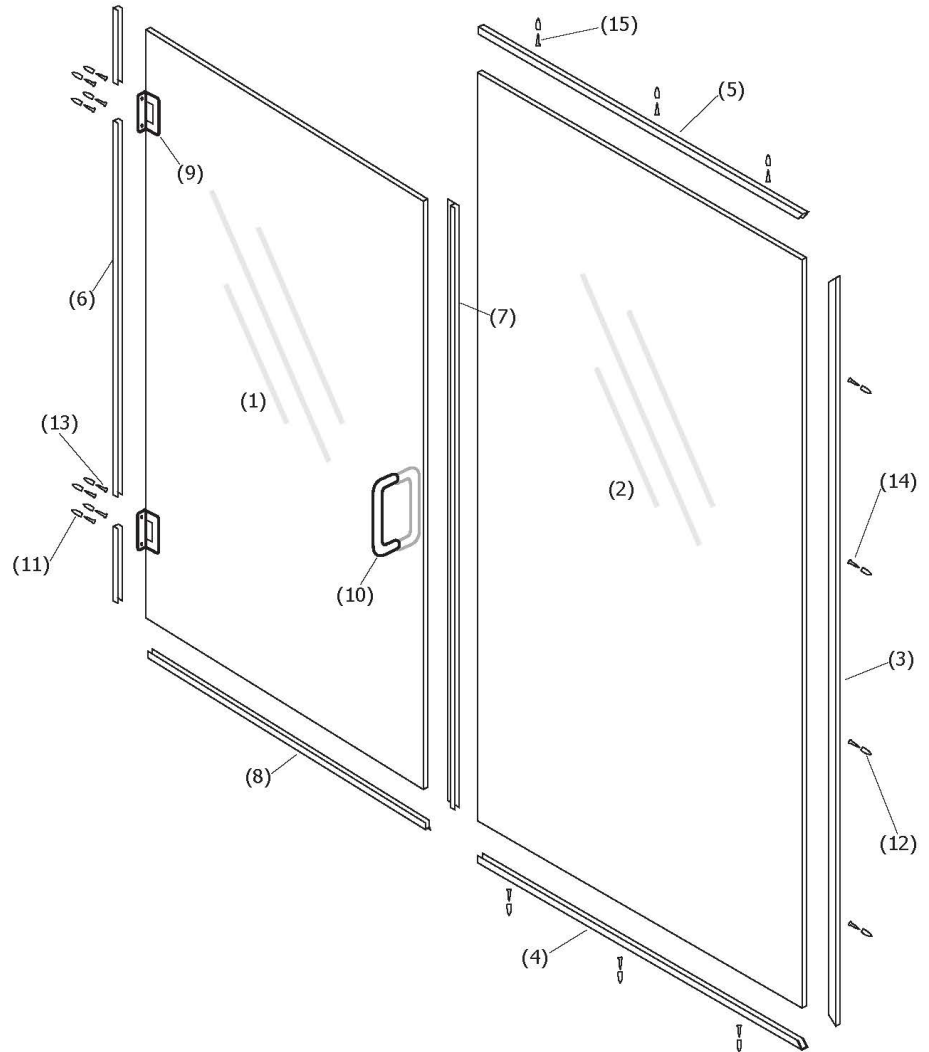


Shower Enclosure Parts List

Assembly Code	Assembly Name	Qty.
1	Glass door	1
2	Fixed glass panel	1
3	Vertical U channel	1
4	Bottom U channel	1
5	Top U channel	1
6	Hinge seal	1
7	Latch seal	1
8	Bottom drip sweep	1
9	Door hinges	2
10	Handle	1
11	5/16" Wall anchors	8
12	3/16" Wall anchors	10
13	2" Flat head screws	8
14	1 1/4" Flat head screws	10



INCLUDED IN HARDWARE KIT:

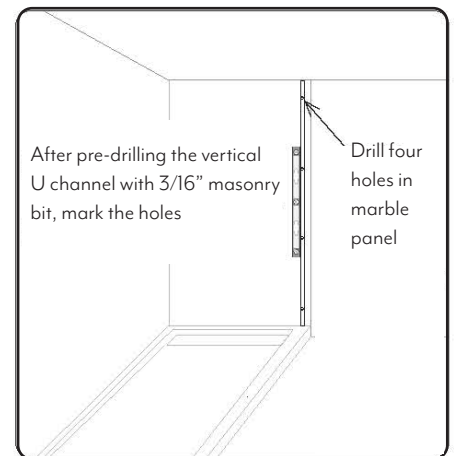
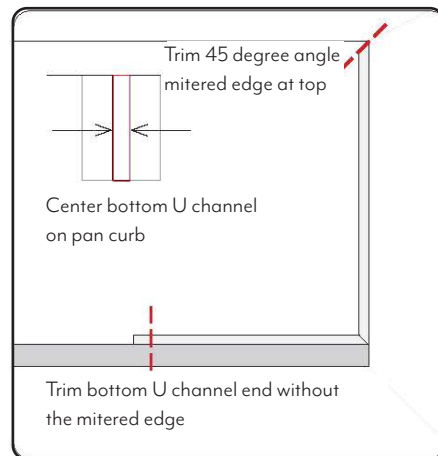
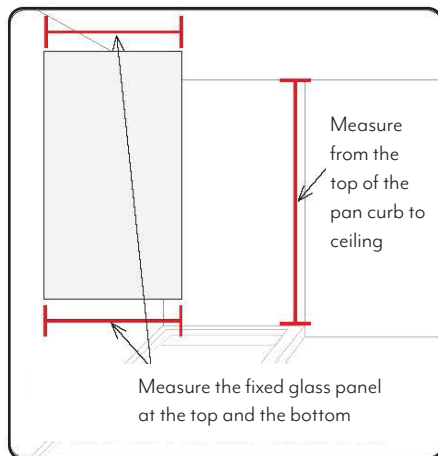
- Door hinges, Hinge shims, Clear setting blocks, 5/32" Allen wrench, and Loctite blue 243 threadlocker.

MATERIALS/TOOLS NEEDED:

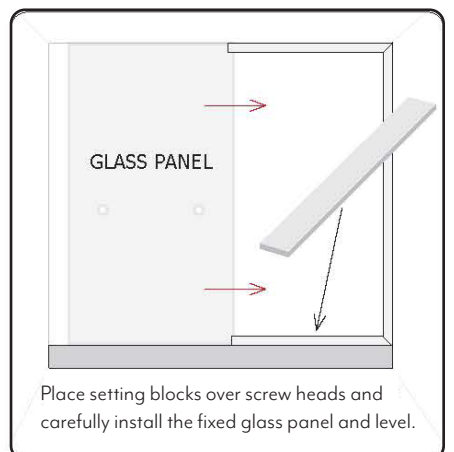
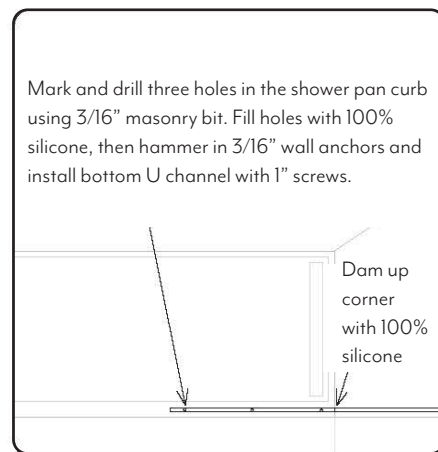
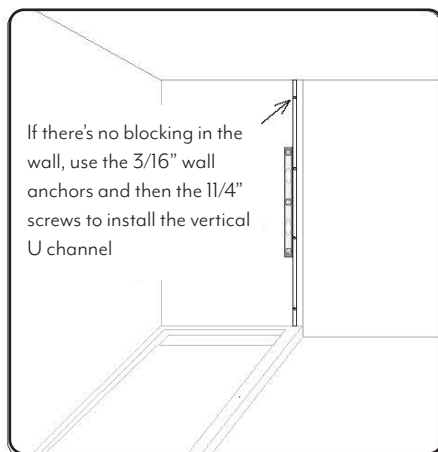
- Drill with 3/16" and 5/16" masonry drill bits, Countersink, Tape measure, Rubber mallet, Level, Pencil, Phillips head screwdriver, Caulk gun, 100% Silicone, and Hack Saw and Miter box (or compound miter saw).

STANDARD HINGED DOOR ENCLOSURE SYSTEM:

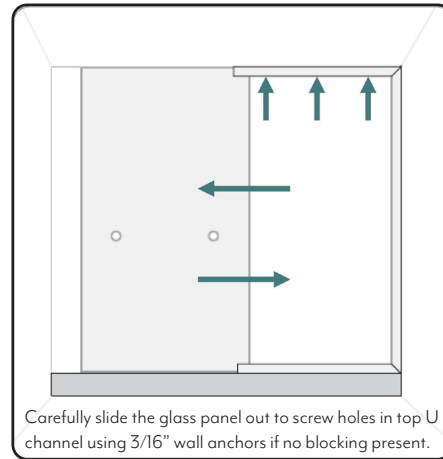
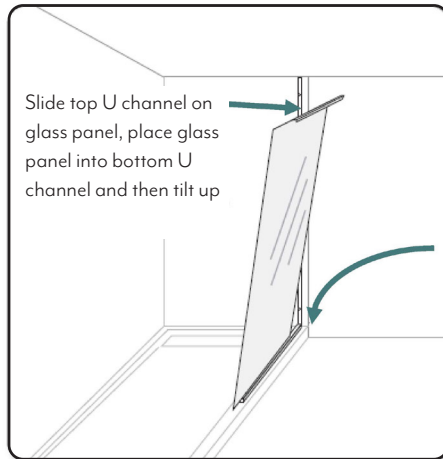
- These instructions must be followed assuming the shower pan is level, and the walls are plumb. After you have confirmed that all of the remaining parts and pieces are present, you are ready to begin by installing the fixed glass panel first. Start by trimming the bottom U channel. Measure the bottom of the fixed glass panel. Deduct $\frac{3}{8}$ " for the width of the latch seal to be installed on the fixed glass panel later. Trim the measurement off of the end of the bottom U channel that does not have the mitered, 45-degree angle. You will need to drill and countersink all of the necessary holes into the locations on all of the U channels.



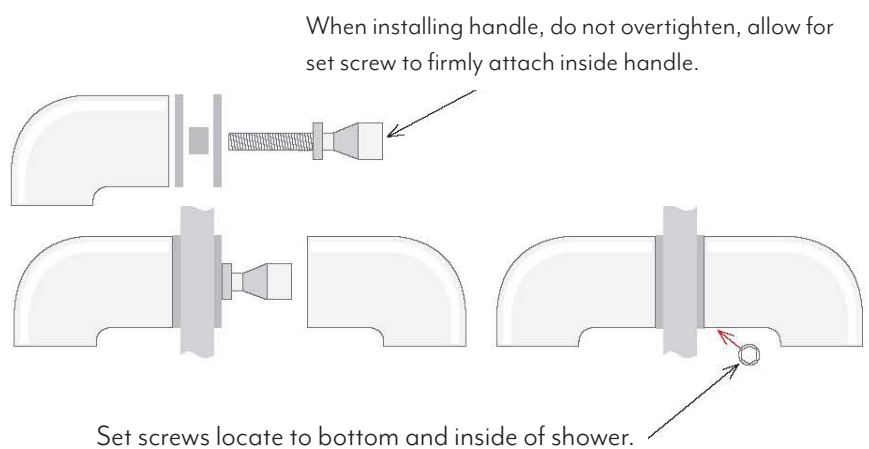
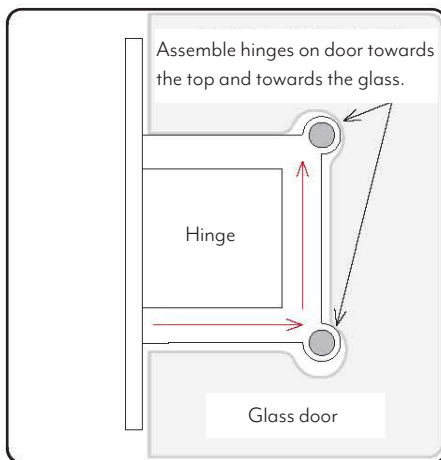
- Measure the top of the fixed glass panel, but do not deduct anything. Measure from the top of the pan curb to the ceiling. Trim the top U channel like the bottom U channel. Pre-drill and countersink three holes in the top and bottom U channels. Trim the vertical U channel at a 45-degree angle at the top. Pre-drill and countersink four holes in the vertical U channel and mark the holes on the wall panel while holding level.
- Using a $\frac{3}{16}$ " masonry bit, drill holes in the marble wall panel large enough that the screws pass through the panel without interference. If there is no blocking in the walls, hammer in $\frac{3}{16}$ " wall anchors and install the vertical U channel.



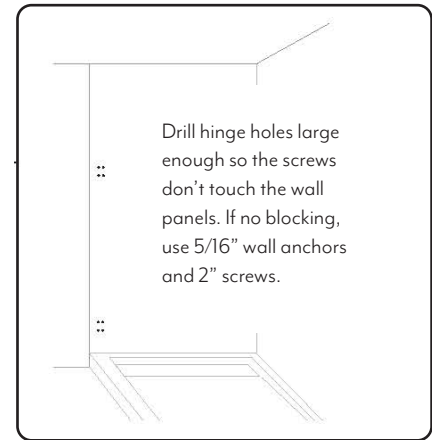
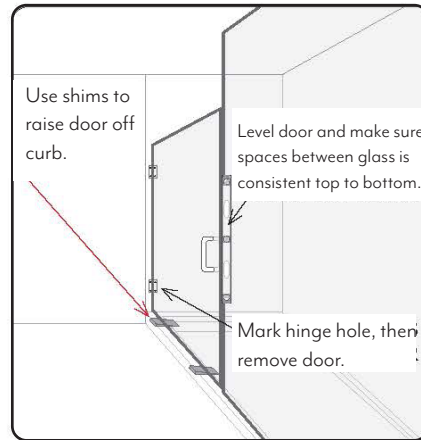
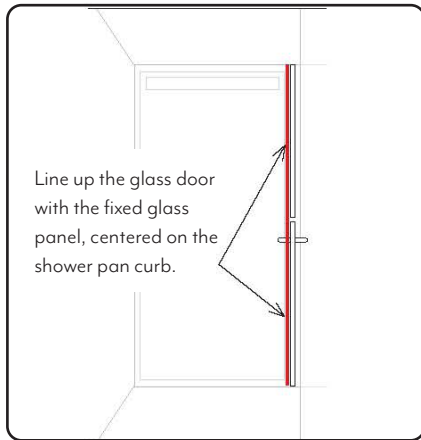
- If your fixed glass panel measures half or more of the total width of your shower, you will need to follow these special instructions: after installing the vertical and bottom U channels, mark the top U channel pre-drilled holes. Slide the top U channel onto the fixed glass panel and set the fixed glass panel into the bottom U channel. Slide the fixed glass panel out of the way to enable the top U channel to be screwed into place. Use loctite for screws. Carefully slide the glass panel back into place, flush with the wall.



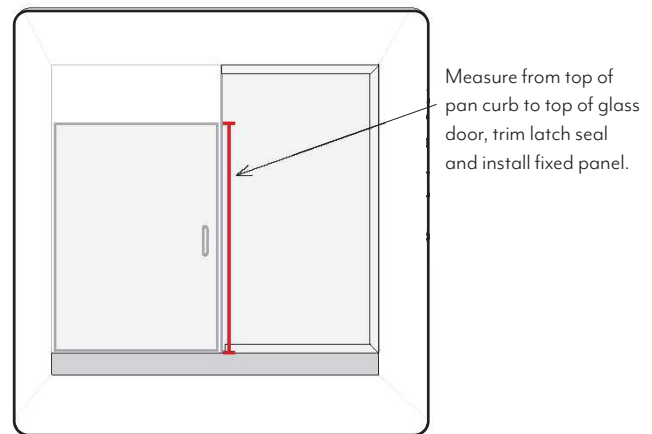
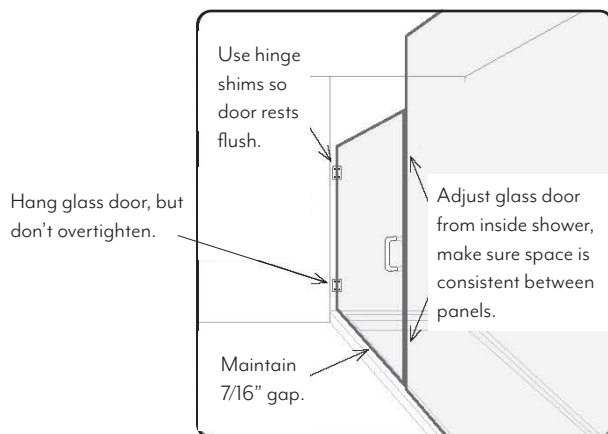
- Next, disassemble and re-assemble the hinges on the glass door. Discard the thinner rubber gaskets because we are using a 3/8" glass door and will need the thicker rubber gaskets. The hinge screws are to be located inside the shower and will face the back of the shower.
- Install the hinges so that they are referenced all the way up in the mounting area and all the way towards the fixed glass panel, away from the wall they are to be mounted to. This will lower the glass door as much as possible. This will allow for flexibility to raise the door off of the curb and towards the fixed glass panel as necessary for correct alignments. Use loctite for screws.
- Next, install the door handle.



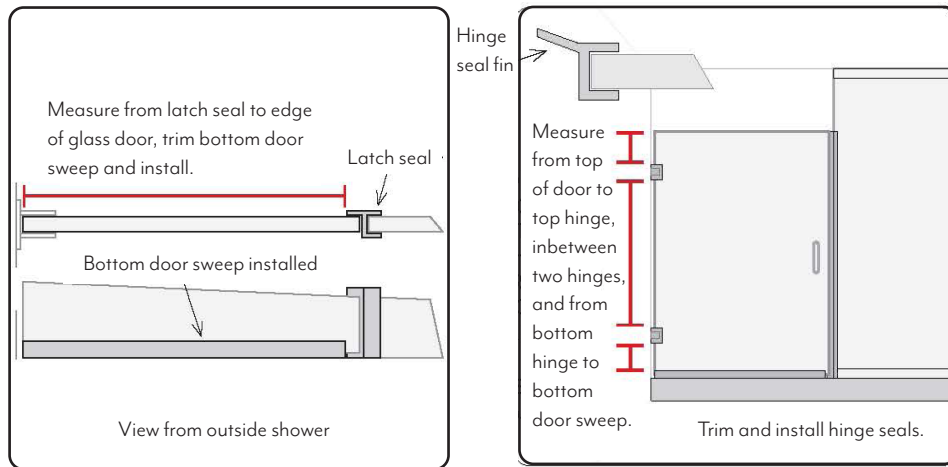
- The glass door is to be installed next. It is recommended that two people are used when measuring, marking, and installing the door; one person inside the shower and one person outside the shower. This will enable the door to be handled with care so as not to damage anything and to ensure accuracy and proper installation.
- Use shims to elevate the glass door 7/16" off the shower curb to make room for the bottom drip sweep. Hold the door level and evenly spaced from the fixed glass panel, and mark the hinge holes locations on the wall panel.



- Use a 5/16" masonry bit to drill holes in the wall panel, making sure that holes are large enough that the screws will clear the wall panel without interference. If blocking is not present, use 5/16" wall anchors with the 2" screws to hang the glass door. Use loctite for screws. Do not overtighten the hinge to wall screws when hanging the door.
- At this point, the glass door will need to be adjusted using shims, hinge shims, and hinge screws that connect the hinge to the glass door on the inside of the shower. Use loctite for screws. The glass door will need to be adjusted so that there is a consistent amount of space between the glass door and the fixed glass panel. If necessary, use the hinge shims to ensure the glass door rests flush with the fixed glass panel when closed.
- Next, tighten the hinge to glass door screws as tightly as possible. Use loctite for screws. Then, measure from the shower pan curb up to the top of the glass door. Trim the latch seal to this measurement with a hack saw and carefully install it on the fixed glass panel - the fin should be located to the inside of the shower.



- With the latch seal installed, you will measure, trim and install the bottom door sweep. While inside the shower with the door closed, start by measuring from the fin of the latch seal to the edge of the glass door. Trim the bottom door sweep with the hack saw to this measurement and install it on the bottom of the door. Do not silicone in place.



- To install the hinge seal, begin by measuring from the top of the glass door to the top hinge, then in-between the two hinges, and from the bottom hinge to the top of the bottom door sweep. Trim the hinge seal with the hack saw and install all three hinge seals. The fins of the hinge seals will be located inside the shower.
- The last steps are waterproofing the shower. Run a bead of 100% silicone on the inside and outside of the shower where the U channels meet the wall panels and the pan curb.
- Finally, carefully run a bead of 100% silicone inside the shower where the fixed glass panel meets the U channels. Allow 24 hours before any moisture is applied.

